



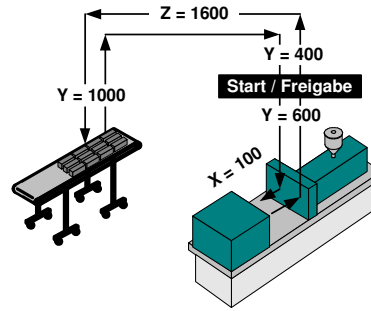
ML 50 Beam robot

For challenging handling and automation tasks

- Flexible high speed servo part handler
- Dynamic AC servo motors with energy saving features
- Part and gripper weight together: up to 6 kg
- Modular control technology with upgrade levels
- For injection moulding machines up to 3000 kN

Axis	Designation	Stroke (mm)	V max. (m/s)
X	Removal stroke	500	1.37
Y	Vertical stroke	1000 (800) (1200)	4.1
Z	Transversal stroke	1600 (1900) (2200) (2500) (3100)	3.3

Measured cycle



Time of action:
1.2 s

Total cycle-time:
4.2 s

Dry running period with:
6 kg load

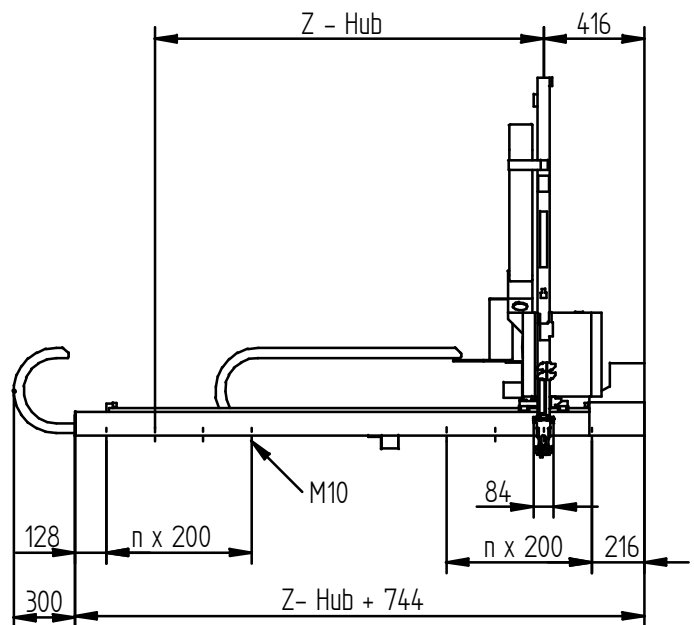
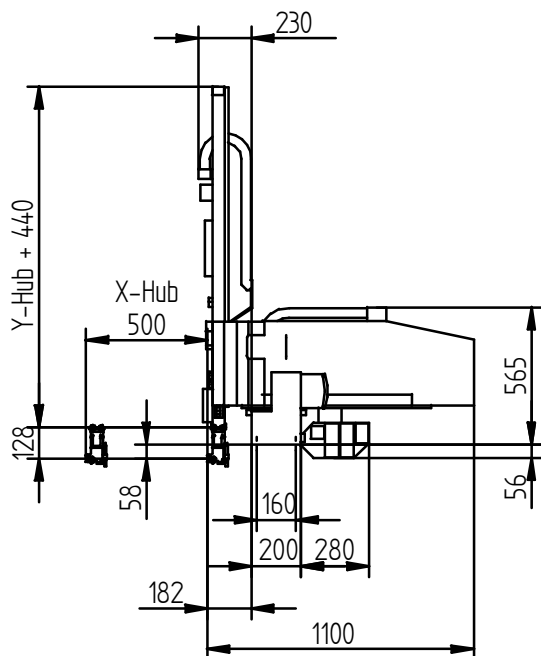
Technical standard specifications

- X-, Y-, Z-axes with AC servo motors
- Repeating accuracy: $\pm 0,1\text{mm}$
- Part and gripper weight together: up to 6 kg
- Mains voltage: 400-480 V (50/60 Hz)
- Power rating: 2000 VA
- Compressed air supply: 6 bar, consumption approx. 2 NI/cycle (without vacuum)
- Two compressed air circuits and two vacuum circuits
- Rotation module C0 (0/90°)
- Freely programmable control EasyControl including EasyTeach
- All the standard Euromap 67 signals

Options

- Part and gripper weight together: up to 10 kg (V max. 3.6 m/s)
- Additional compressed air circuits and vacuum circuits
- Pneumatic A and B rotation modules
- Motor driven B rotation module
- PC programming software (offline) EasySoft
- Linkage of the hardware by means of Ethernet
- USB port for program backup
- CAN islands for controlling the peripheral devices
- Upgrade Kit ComfortControl, ComfortTouch included for graphic user interface (in place of EasyControl)
- Euromap 12
- Further options upon request

All indications and images are without guarantee and can change at any time.



Headquarter

GHS Automation AG
Steinhaus, CH-3150 Schwarzenburg
Phone +41 (0)31 734 31 11
Telefax +41 (0)31 734 31 00
E-Mail: info@ghsautomation.com